

## Major Equipment

Engine	Petrol K15B	
	Part-time 4WD	
Transmission	5MT/4AT	4AT
Grade	GL	GLX
<b>CHASSIS</b>		
Tyres and wheels	195/80R15 + alloy wheels	S S
Spare tyre and wheel	195/80R15 + alloy wheel	S S
<b>EXTERIOR</b>		
Front grille	Black with chrome accent	S S
Wheel arch extensions	Material colour	S S
Drip rails	S	S S
Outside door handles	Body coloured	- S
Tailgate opener	Centre door lock	S S
<b>VISIBILITY</b>		
Headlamps	Halogen multi-reflector	S -
	LED projector	- S
Headlamp levelling device	Manual	- S
Automatic lamps	-	- S
Lamp washer	-	- S
Fog lamps	Front	S S
Green-tinted windows	Front door windows	S S
	Quarter, rear & tailgate windows	S S
Privacy glass	Quarter, rear & tailgate windows	0 0
UV-cut glass	Windscreen	S S
Wipers	Front: 2-speed + intermittent + washer	S S
	Tailgate : 1-speed + intermittent + washer	S S
Tailgate window demister	S	S S
Outside door mirrors	Black (painted)	- S
	Electrically adjustable	S S
	Electrically foldable	- S
Day / night rearview mirror	Manual dimming	S S
<b>STEERING AND INSTRUMENT PANEL</b>		
3-spoke steering wheel	Urethane	S -
	Leather covered	- S
	With audio controls	0 <sup>1</sup> S
	With cruise control	- S
	With hands-free phone control	0 <sup>1</sup> 0 <sup>1</sup>
	Tilt-adjust	S S
Power steering	S	S S
Tachometer	S	S S
Light-off and key reminder	Alarm	S S
Driver's seatbelt reminder	Lamp & alarm	S S
Passenger's seatbelt reminder	Lamp & alarm	S S
Rear seatbelt reminder	Lamp & alarm	- S
Door ajar reminder	Lamp	S S
Low fuel warning	Lamp	S S
<b>DRIVING AMENITIES</b>		
Digital clock	S	S S
Electric windows	Front	S S
	Rear	S S
Central door locking	Switch on driver's side	S S
Remote-control door locks	With hazard lamp answerback function	S S
Air conditioner	Manual	S -
	Auto	- S
Heater	S	S S
Pollen filter	S	S S
Audio	Antenna (mounted at rear of roof)	S S
	Speaker x 4	S S
	Audioless (2DIN Garnish w/o box)	S S
	7-inch display audio + Bluetooth®*	0 <sup>1</sup> -
	9-inch display audio + Bluetooth®* + Rearview camera	- 0 <sup>1</sup>
Cruise control	-	- S

Standard and optional equipment available may vary for individual markets. Please enquire at your dealers, as specifications and illustrations may refer to models not available in your region. SUZUKI MOTOR CORPORATION reserves the right to change, without notice, prices, colours, materials, equipment, specifications and models, and also to discontinue models.

Engine	Petrol K15B	
	Part-time 4WD	
Transmission	5MT/4AT	4AT
Grade	GL	GLX
<b>INTERIOR</b>		
Cabin lights	Front cabin light (3-position) Rear cabin light (3-position) Luggage area	S S S S S S
Driver's sun visor	With ticket holder With vanity mirror	S S S S
Passenger's sun visor	With ticket holder With vanity mirror	S S S S
Assist grips	Passenger's side Rear x 2	S S S S
Cup holder	Front x 2	S S
Shift knob	Urethane	S S
	With chrome	S(MT) -
	With piano black	S(AT) S
Parking brake release button	Chrome	- S
	Black	S -
12V interior accessory socket	Centre console x 1 Luggage room x 1	S S S S
USB socket	Centre console x 1	0 <sup>1</sup> 0 <sup>1</sup>
Remote fuel lid opener	S	S S
Inside door handles	Chrome	- S
	Black	S -
<b>SEATS</b>		
Rear seat	50:50-split single-folding Head restraints x 2	S S S S
Seat upholstery material	Fabric	S S
<b>SAFETY AND SECURITY</b>		
SRS front dual airbags	Front	S S
SRS side airbags	Front	- S
Curtain airbags	-	- S
Seatbelts	Front: 3-point ELR seatbelts x 2 with pretensioners and force limiters Rear: 3-point ELR seatbelts x 2 with force limiters	S S S S S S - S
ISOFIX child seat anchorages	Rear x 2	S S
Pedal Release System	Brake & clutch	S S
Side impact door beams	S	S S
Parking sensors	Rear	S S
ABS	S	S S
ESP**	S	S S
Hill hold control	S	S S
Hill descent control	S	S S
Brake assist function	S	S S
Shift lock/key interlock	S(AT)	S S
High-mount stop lamp	S	S S
Immobilizer	S	S S

S : Standard - : Not Available 0 : Option 0<sup>1</sup> : Set option  
\* : Bluetooth is a registered trademark of Bluetooth SIG, Inc.  
\*\* : ESP is a registered trademark of Mercedes-Benz Group AG.



# JIMMY

## 5-door

### Major Specifications and Equipment



All photographs in this brochure were taken with relevant permission. Images of the vehicles without number plates on public roads are composite photos.

**SUZUKI MOTOR CORPORATION**  
300 Takatsuka-cho, Minami-ku, Hamamatsu-shi, Shizuoka 432-8611 JAPAN  
www.global.suzuki.com

JIMNY 5-DOOR SPEC AND EQUIPMENT SHEET (G)  
99999-BBD02-001 2309



## Model Lineup

### GLX

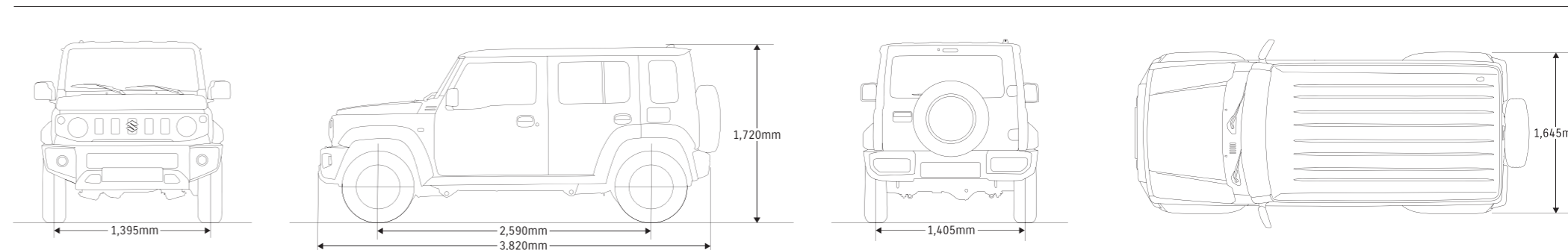


### GL



## Exterior Colours

### Dual-tone colours



## Major Specifications

Number of doors	5		
Engine	Petrol		
Drive system	1.5L ALLGRIP PRO		
Transmission	5MT	4AT	
<b>DIMENSIONS</b>			
Overall length	Front bumper to rear bumper	mm	3,820
Overall width		mm	1,645
Overall height		mm	1,720
Wheelbase	Front	mm	2,590
Tread	Rear	mm	1,395
		mm	1,405
Minimum turning radius		m	5.7
Minimum ground clearance		mm	210
Approach angle		deg.	36
Ramp breakover angle		deg.	24
Departure angle		deg.	47
<b>CAPACITIES</b>			
Seating capacity	Max. volume	persons	4
Luggage capacity	Rear seatback folded (VDA method)	litres	1,113
	Rear seatback raised (VDA method)	litres	332
		litres	211
Fuel tank capacity		litres	40
<b>ENGINE</b>			
Type			K15B
Number of cylinders			4
Number of valves			16
Piston displacement		cm <sup>3</sup>	1,462
Bore x stroke		mm	74.0 x 85.0
Compression ratio			10
Maximum output		kW/rpm	75/6,000
Maximum torque		N·m/rpm	130/4,000
Fuel distribution			Multipoint injection
<b>TRANSMISSION</b>			
Type			5MT 4AT
Gear ratio	1st	4.425	2.875
	2nd	2.304	1.568
	3rd	1.674	1.000
	4th	1.190	0.697
	5th	1.000	-
	Reverse	5.151	2.300
Final gear ratio	4.090		4.300
Transfer gear ratio	High	1.000	1.320
	Low	2.002	2.643
<b>CHASSIS</b>			
Steering			Recirculating ball
Brakes	Front	Ventilated disc	
	Rear	Drum, leading and trailing	
Suspension	Front	3-link rigid axle with coil spring	
	Rear	3-link rigid axle with coil spring	
Tyres			195/60R15
<b>WEIGHTS</b>			
Kerb weight (min./with full options)	kg	1,185-1,205	1,200-1,215
Gross vehicle weight	kg	1,545	1,545
<b>PERFORMANCE</b>			
Maximum speed	km/h	155	140

All figures are manufacturer's data and may vary for each market. For information about official certification data, please contact the SMC marketing group in charge of your area.